

Dynasty HD™ – High Definition 720p/1080p Video Cameras

Features

- **Uncompressed High Speed real time digital video camera**
- **Digital 3G/HD-SDI interface**
- **HD-SDI Output Video Formats (Varies by camera model):**
 - **720p@50 Hz**
 - **720p@60 Hz**
 - **1080p@25 Hz**
 - **1080p@30 Hz**
- **Audio output: CVBS (all models)**
- **Supports NTSC or PAL**
- **Megapixel quality image is over standard coaxial cable and BNC**
- **RG-59 Cable Distance : >100 meters**
- **Video/Audio/Power/RS-232 over one cable (optional)**
- **CMOS Mega pixels – High sensitivity**
- **TV Line: Above 800 TVL (HD-SDI)**
- **Minimum illumination: 0.1 lux (AGC on)**
- **Optional ICR IR-cut removable function**
- **OSD (On Screen Display)**
- **2D/3DNR**
- **Compact Size – Just Over 4.5 Inches Long (115 mm)**

High Resolution, High Sensitivity, HD-SDI Digital Color Video Cameras with 1/3 Inch CMOS Sensor. Ideal for Low Light Conditions – Minimum Illumination is 0.1 Lux. Compact Size – Just Over 4.5 Inches Long (115 mm). HD-SDI (SMPTE 292M) or Analog (CVBS) Output. Four Models Available.



Overview

The Dynasty HD™ camera series features compact low light, high speed, HD video cameras with a 1/3 inch CMOS sensor. Video output is HD-SDI (SMPTE 292M) or Analog CVBS. All cameras support NTSC or PAL.

Applications

- **High Speed Video Capture**
- **Live Evening Events – Sports, concerts, etc.**
- **Reality TV**
- **Industrial applications – Low light conditions**

Specifications

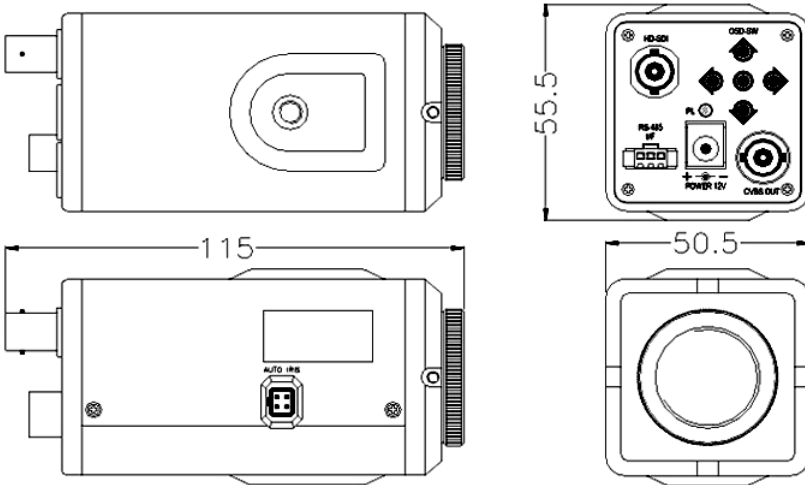
General Specifications

Image Sensor	1/3" CMOS High Sensitivity Sensor			
Model No.	Dynasty HD 720p50	Dynasty HD 720p60	Dynasty HD 1080p20	Dynasty HD 1080p30
Total Pixels	1384(H) X 1076(V) approx. 1.49M pixels			
Scan Method	Progressive Scan			
Minimum Illumination	0.1 Lux (AGC on)			
Resolution	800 TV Line (HD-SDI out)			
Digital Video Out Format	720p@50Hz SMPTE274M	720p@60Hz SMPTE274M	1080p@25Hz SMPTE296M	1080p@30Hz SMPTE296M
Digital Video	BNC HD-SDI (SMPTE 292M)			
Analog Video Output	NTSC / PAL (resolution 560 TVL)			
Communication	RS-485 (Future release)			
Digital Noise Reduction	2D/ 3DNR			
OSD Functions	Peak/BLC/Fixed shutter/AWB/ATW/R-Y/B-Y/ Cross line/Digital P/T/Z/Enhance Freeze/Motion/Posi/ Negative/Privacy/Slow shutter/ Title/UV/Matrix/XDR			
Languages	English / Japanese / Chinese			
Gamma Correction	0.45 / 1.0			
Options	ICR (IR-Cut Review movable)			

Physical and Power

Power Supply	DC12V±1V / 300mA
Mount	C/CS Mount
Operating Temperature	-20° to 50°
Operating Humidity	within 85% RH
Dimensions	HxWxL: 2.19 x 1.99 x 4.53 inches (55.5x50.5x115 mm)
Weight	120 grams (without lens) 4.23 ounces (without lens)
Conformities	??

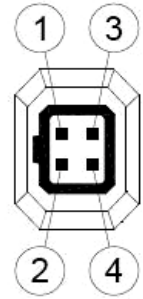
Dimensions – in Millimeters



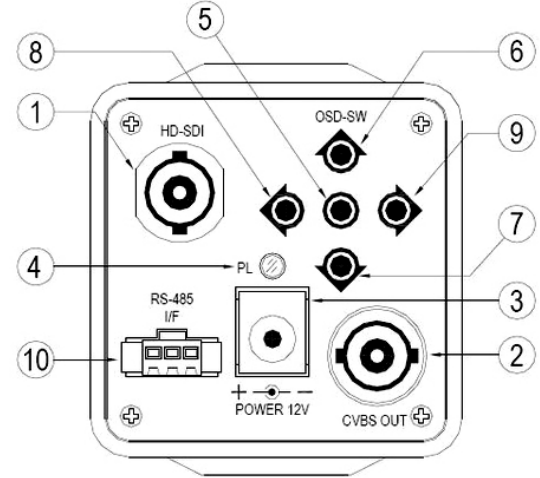
Camera Connectors

Iris Connector

DC-Lens	
P1	DUMP
P2	DUMP+
P3	DRIVE
P4	GND



Rear Panel



1	HD-SDI Out
2	CVBS Video Out
3	Power In DC Jack
4	Power On Index LED
5	OSD-SW "ENTER"
6	OSD-SW "ENTER"
7	OSD-SW "ENTER"
8	OSD-SW "ENTER"
9	OSD-SW "ENTER"
10	RS-485 I/F (Future Release)

Ordering Information

Dynasty HD 720p50
 Dynasty HD 720p60
 Dynasty HD 1080p20
 Dynasty HD 1080p30

Optional ICR IR-cut removable function