

# EL137

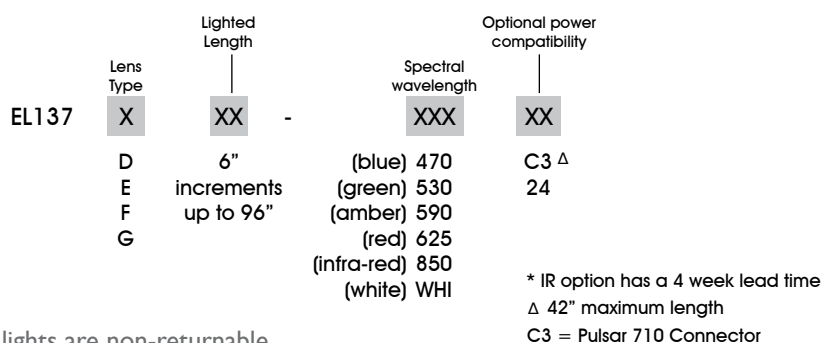
## Expandable, High Intensity Line Light



- Aii** Passively cooled design in 6" increments up to 96"
- Aii** Perfect for line scanning applications.  
200,000 Lux @ 3"; 50,000 hours life
- Aii** Intensity control of entire light via 10 - 0v input

### Ordering Information

Standard Product Variation:  
Shipped Within Three Weeks \*



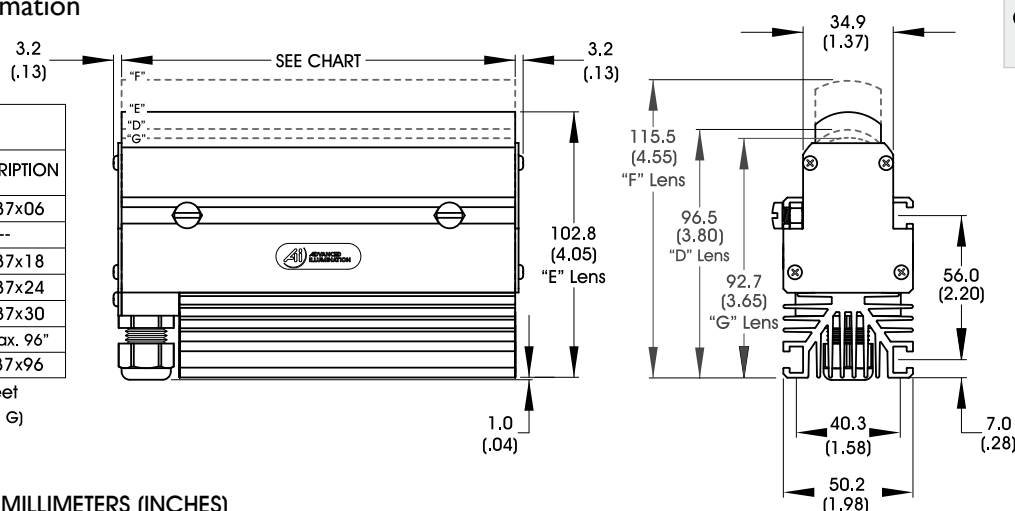
| Lens | Working Distance  | Beam Width   |
|------|---|--|
| D    | 50mm (2")   | 2mm (.08")   |
| E    | 75mm (3")   | 3mm (.13")   |
| F    | 150mm (6")  | 6mm (.25")   |
| G    | 300mm (12")<br>600mm (24")<br>900mm (36")<br>1200mm (48") | 25mm (1.0")<br>45mm (1.7")<br>64mm (2.5")<br>75mm (3.0") |

Built-to-order lights are non-returnable.

### Dimensional Information

| DASH NUMBER                    | LENGTH (XX) | DESCRIPTION |
|--------------------------------|-------------|-------------|
| -06                            | 6.0"        | EL137x06    |
| LL137*                         | 12.0"       | ---         |
| -18                            | 18.0"       | EL137x18    |
| -24                            | 24.0"       | EL137x24    |
| -30                            | 30.0"       | EL137x30    |
| 6" increments up to a max. 96" |             |             |
| -96                            | 96.0"       | EL137x96    |

\* see LL137 spec sheet  
x = lens option (D, E, F, G)



[Click for Installation Models & Drawings](#)

DIMENSIONS ARE IN MILLIMETERS (INCHES)

### Standard Variation Current Specifications

Maximum draw per 152mm (6") length

|     | blue | green | amber | red  | infra-red | white |
|-----|------|-------|-------|------|-----------|-------|
| @24 | 1.1A | 1.1A  | 1.1A  | 1.1A | 1.1A      | 1.1A  |

### Standard Product Information

|                        |              |
|------------------------|--------------|
| Product Lifetime:      | 50,000 hours |
| Operating Temperature: | 0-50° C      |