

H27Z1970AMS

27X 19mm-513mm F7.0

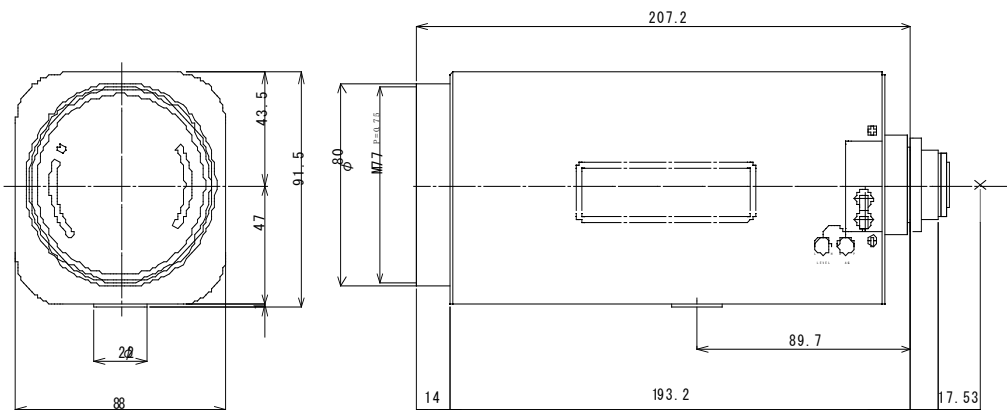
for 1/2 type Cameras, Motorized Zoom

C-Mount, w/2X Extender

with Video Auto Iris

Model No.	H27Z1970AMS		Effective	Front	φ 70.3 mm		
Focal Length	19mm - 513mm		Lens Aperture	Rear	φ 13.6 mm		
Max. Aperture Ratio	1:7.0		Back Focal Length		14.1 mm		
Max. Image Format	6.4mm x 4.8mm(φ8mm)		Flange Back Length		17.526mm		
Operation Range	Iris	F7.0 - F2000 (W/ND Filter)	Mount		C-Mount		
	Focus	1.5m - Inf.	Filter Size		M77 P=0.75mm		
	Zoom	19mm - 513mm	Tripod Screw		1/4 -20UNC		
Control	Iris	Video Auto Iris	Dimensions		W88mm x H91.5mm x D218.7mm		
	Focus	Motorized	Weight		1925g		
	Zoom	Motorized					
Object Dimension at M.O.D.	19mm	46.9cm x 35.2cm					
	513mm	1.665cm x 1.25cm					
Angle of View	D	1/2 type	22.85° - 0.89°	1/3 type	17.55° - 0.67°	1/4 type	13.35° - 0.5°
	H		18.7° - 0.71°		14.15° - 0.53°		10.75° - 0.4°
	V		14.17° - 0.53°		10.75° - 0.4°		8.1° - 0.3°
	Iris		Focus		Zoom		
Supply Voltage	DC6-12V		DC6-12V		DC6-12V		
Current	40mA or less		40mA or less		40mA or less		
Response Time	3 - 8 sec.		4 - 8 sec.		3.5 - 7 sec.		
Preset Potentiometer	-		-		-		
Light Weighting method	Adjustable between Average-Peak (to be set at Average at Factory)						
Input Signal	Video Signal (V. or V.S.)						
Iris Accuracy	± 15% at Video Signal Level						
Sensitivity Adjustment	0.4V(p-p) - 1.0V(p-p) (Video Signal)						
Input Impedance	High Impedance						
Operating Temperature	-10°C - +50°C						

Dimensions



Wiring Diagram

